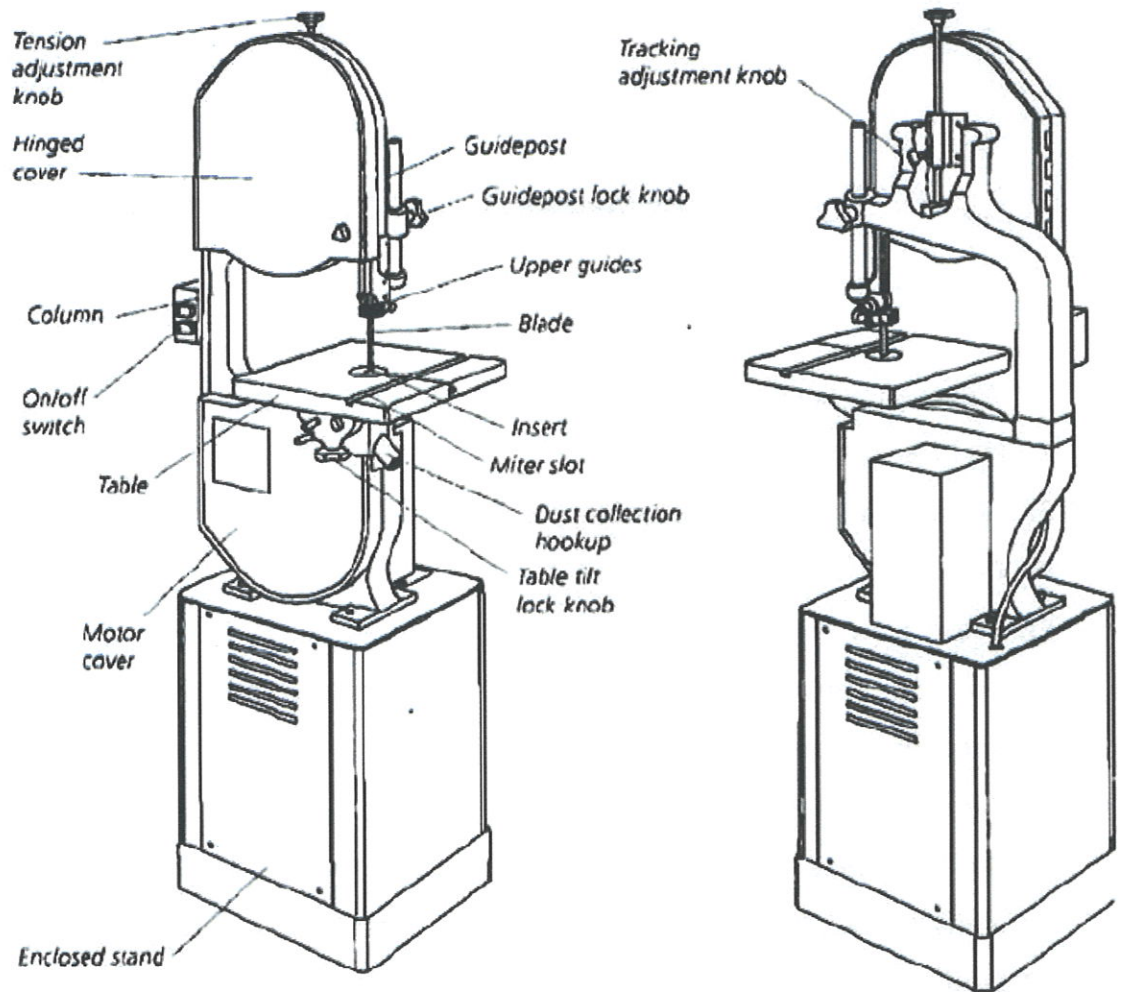




STUDY GUIDE

# BAND SAW



1. Adjust guard no higher than 1/4 inch above the board.
2. No sharp turns when cutting.
3. No cylindrical or round stock cut on this machine.
4. If you hear a clicking noise, shut machine off.
5. Turn off the power before you leave the machine.